

VCTCXO

4 Pad Version 3.2×2.5 mm

- ±0.5~±2.5 ppm stability
- Ultra-miniature package
- Clipped sine wave
- Low power consumption
- Reflow soldering temperature: 260°C max

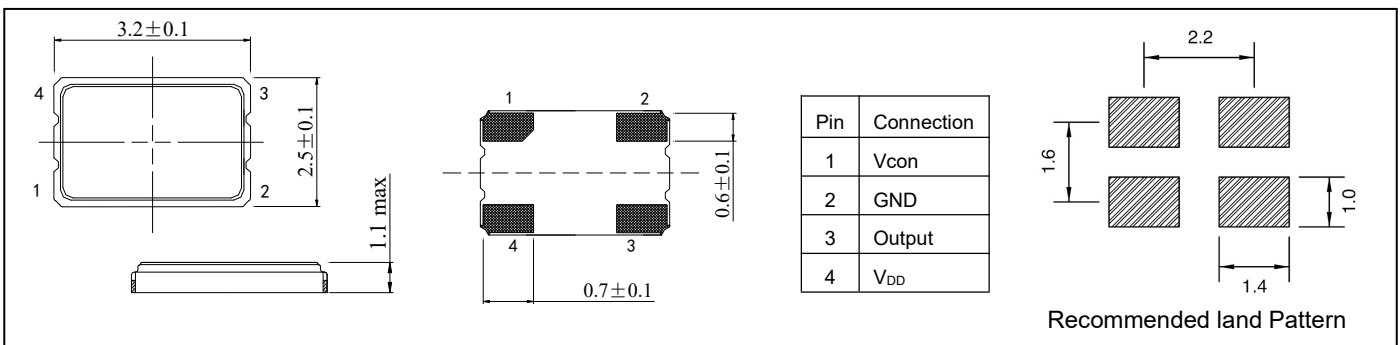


RoHS compliant

★ PARAMETERS

PARAMETERS	SPECIFICATION	
Frequency Range	10.0~52.0MHz	
Supply Voltage	1.8V、2.5V、2.8V、3.3V	
Supply Current	10MHz≤F0≤26MHz: 2.0mA max 26MHz<F0≤52MHz: 2.5mA max	
Frequency Tolerance	±0.5ppm、±1.0ppm、±2.0ppm	
Frequency Stability	Vs Temperature (ref. to +25℃)	±0.5~±2.5ppm
	Vs Supply voltage change (±5%)	±0.2ppm
	Vs Load change (±10%)	±0.2ppm
	Vs Aging (1 st Year ,25±2℃)	±1.0ppm
Operating Temp. Range	-30~+85℃、-40~+85℃	
Storage Temp. Range	-55~+125℃	
Voltage Control Range	±5.0ppm min	
Output Waveform:	Clipped Sine Wave	
Output Level:	0.8 Vp-p Min (Clipped Sine Wave)	
Output Load	10KΩ//10pF	
Symmetry	45% ~ 55% typ.	
Start-up Time	2.0mS max	
Phase Noise	-115 dBc/Hz max @100Hz offset	
	-135 dBc/Hz max @1KHz offset	
	-148 dBc/Hz max @10KHz offset	

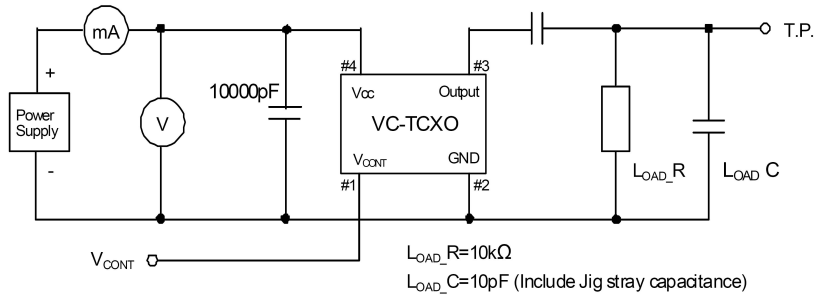
⊙ All specification subject change without notice.

★ DIMENSIONS & LAND PATTERN LAYOUT (Unit: mm)

★ PART NUMBER GUIDE e.g. FVTO26.000M2.8SM3-1.0/2.5C(*SM3=3.2×2.5 SMD TYPE)

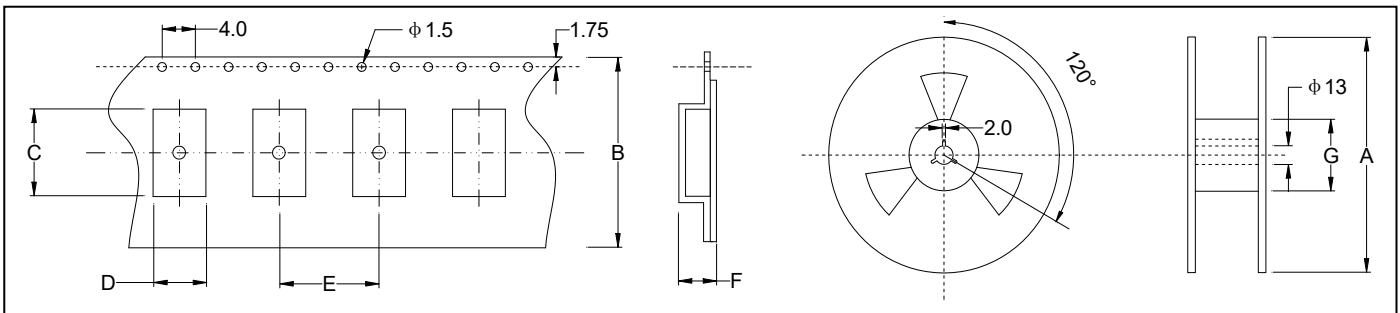
Logo	VCTCXO	Frequency	Supply voltage V _{DD}	Package	Frequency Tolerance ppm	Frequency Stability ppm	Operating Temp.
F	VTO	26.000	3.0	SM3	1.0	2.5	C

Definition	Description	
Operating Temperature Range	A: -10~+60°C	B: -20~+70°C
	C: -30~+80°C	D: -40~+85°C
	S: Customer specified	

★ TEST CIRCUIT

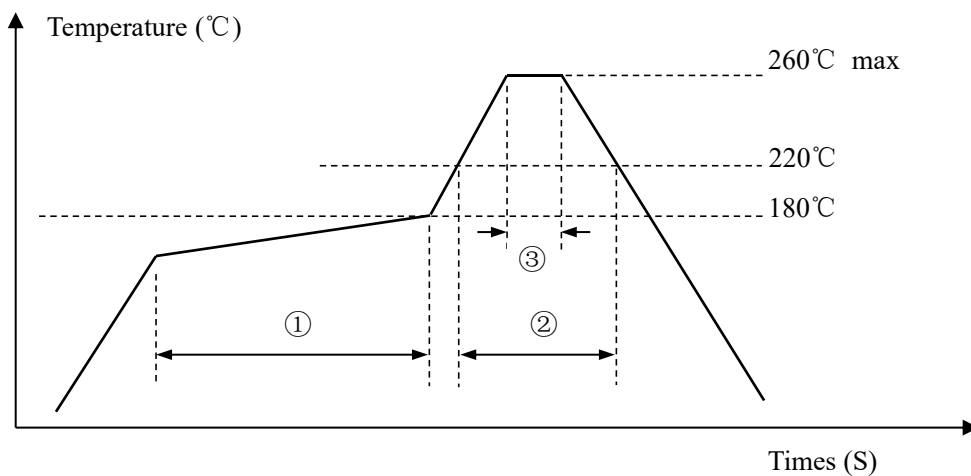


★ TAPING SPECIFICATION (Unit: mm)



	A	B	C	D	E	F	G
VCTCXO-SMD3225	178±2.0	8.0±0.3	3.55±0.10	2.80±0.10	4.0±0.1	1.4±0.1	60.5±1.0
3000 pcs per reel							

★ REFLOW SOLDERING PROFILE



Pb free reflow A	①	Preheat	160~180°C	120sec. max
	②	Primary heat	220°C	60sec. max
	③	Peak	260°C	10sec. max.