

**CERAMIC FILTER FOR COMMUNICATION**
**通讯设备用陶瓷滤波器**

**4+1 PIN Version 11.0x8.0x7.0 mm**

- Bandwidths from  $\pm 2.0\text{KHz} \sim \pm 15.0\text{KHz}@6\text{dB}$
- High selectivity
- Resin molded package for easy PCB mounting
- Operating temperature range:  $-20$  to  $+80^\circ\text{C}$
- Storage temperature range:  $-40$  to  $+85^\circ\text{C}$

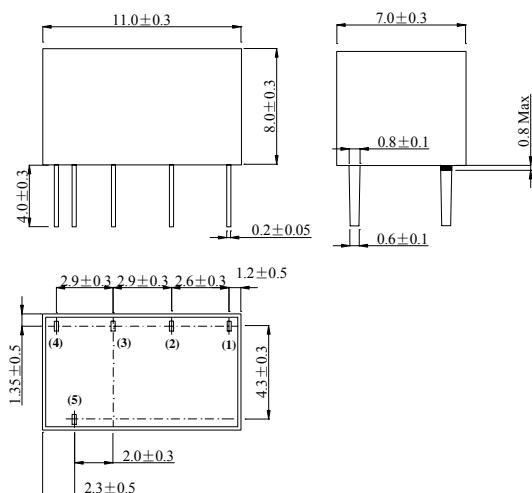


RoHS compliant

**★ PARAMETERS**
**技术参数**

Model	Centre Frequency Fc (KHz)	6dB Band Width (KHz) min	50dB Band Width (KHz) max	Stop Band Attenuation Fc $\pm$ 100KHz (dB) min	Pass Band Ripple (dB) max	Insertion Loss (dB) max	Input/Output Impedance ( $\Omega$ )	Operating Temperature Range
LT450BW	450.0	$\pm 15.0$	$\pm 30.0$	40	3.0	4.0	1500	$-20 \sim +80^\circ\text{C}$
LT450CW	450.0	$\pm 12.5$	$\pm 24.0$	40	3.0	4.0	1500	$-20 \sim +80^\circ\text{C}$
LT450DW	450.0	$\pm 10.0$	$\pm 20.0$	40	3.0	4.0	1500	$-20 \sim +80^\circ\text{C}$
LT450EW	450.0	$\pm 7.5$	$\pm 15.0$	40	3.0	6.0	1500	$-20 \sim +80^\circ\text{C}$
LT450FW	450.0	$\pm 6.0$	$\pm 12.5$	40	3.0	6.0	2000	$-20 \sim +80^\circ\text{C}$
LT450GW	450.0	$\pm 4.5$	$\pm 10.0$	40	2.0	6.0	2000	$-20 \sim +80^\circ\text{C}$
LT450HW	450.0	$\pm 3.0$	$\pm 9.0$	40	2.0	6.0	2000	$-20 \sim +80^\circ\text{C}$
LT450IW	450.0	$\pm 2.0$	$\pm 7.5$	40	2.0	6.0	2000	$-20 \sim +80^\circ\text{C}$
LT450HTW	450.0	$\pm 3.0$	$\pm 9$	60	2.0	6.0	2000	$-20 \sim +80^\circ\text{C}$
LT450ITW	450.0	$\pm 2.0$	$\pm 7.5$	60	2.0	6.0	2000	$-20 \sim +80^\circ\text{C}$
LT455BW	455.0	$\pm 15.0$	$\pm 30.0$	40	3.0	4.0	1500	$-20 \sim +80^\circ\text{C}$
LT455CW	455.0	$\pm 12.5$	$\pm 24.0$	40	3.0	4.0	1500	$-20 \sim +80^\circ\text{C}$
LT455DW	455.0	$\pm 10.0$	$\pm 20.0$	40	3.0	4.0	1500	$-20 \sim +80^\circ\text{C}$
LT455EW	455.0	$\pm 7.5$	$\pm 15.0$	40	3.0	6.0	1500	$-20 \sim +80^\circ\text{C}$
LT455FW	455.0	$\pm 6.0$	$\pm 12.5$	40	3.0	6.0	2000	$-20 \sim +80^\circ\text{C}$
LT455GW	455.0	$\pm 4.5$	$\pm 10.0$	40	2.0	6.0	2000	$-20 \sim +80^\circ\text{C}$
LT455HW	455.0	$\pm 3.0$	$\pm 9.0$	40	2.0	6.0	2000	$-20 \sim +80^\circ\text{C}$
LT455IW	455.0	$\pm 2.0$	$\pm 7.5$	40	2.0	6.0	2000	$-20 \sim +80^\circ\text{C}$
LT455HTW	455.0	$\pm 3.0$	$\pm 9$	60	2.0	6.0	2000	$-20 \sim +80^\circ\text{C}$
LT455ITW	455.0	$\pm 2.0$	$\pm 7.5$	60	2.0	6.0	2000	$-20 \sim +80^\circ\text{C}$

○ All specification subject change without notice. 规格变化, 恕不另行通知。

**★ DIMENSIONS (Unit: mm) 外形尺寸**

**★ TEST CIRCUIT 测试线路**
